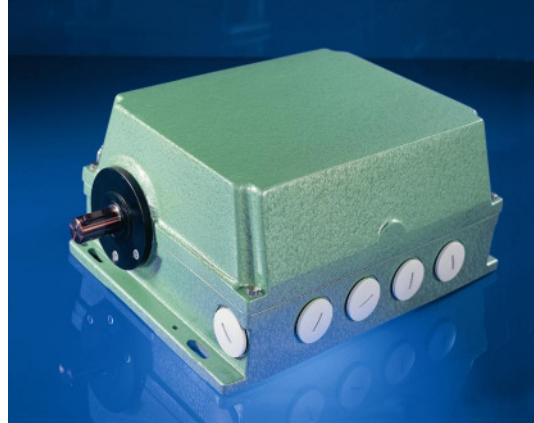


ACCESSORIES
PROTECTION BOX ALG



Description

In the heavy-machinery industry (steel mills, off shore, etc.) a higher level of protection is often required to avoid external mechanical damage. Due to this fact, POSITAL rotary encoders can be

built into the heavy duty, cast aluminum ALG protection box.

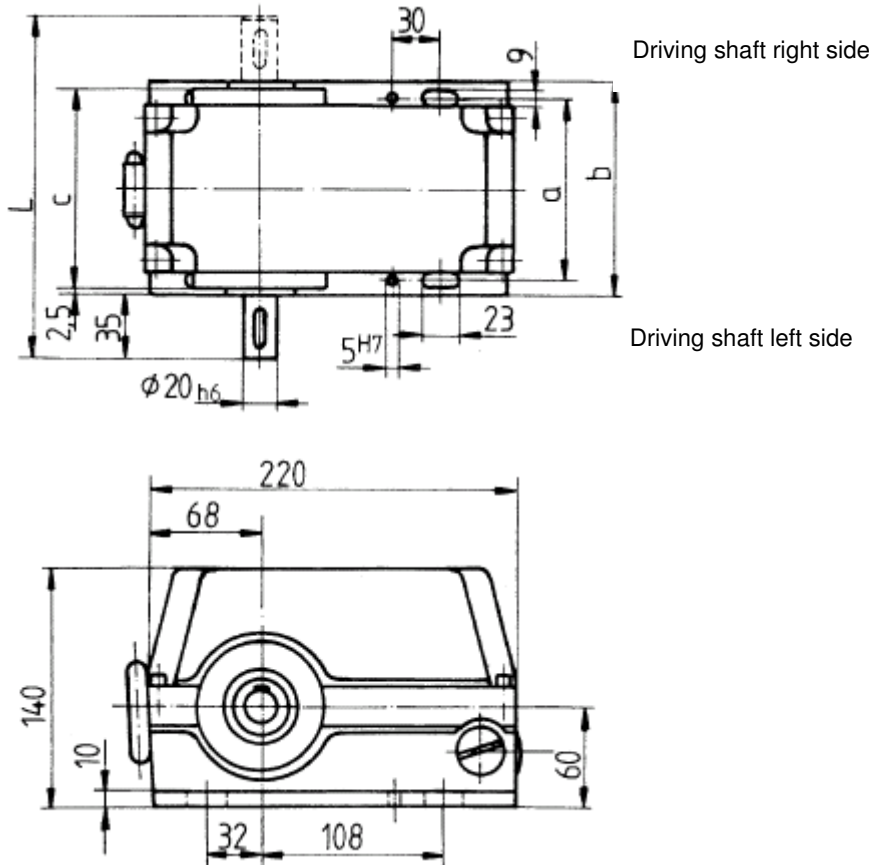
This housing will delivered with M32 screws (see picture).

Mechanical Data

| | |
|----------------------|--|
| Housing | Cast aluminum, varnished |
| Degree of protection | IP 65 |
| Shaft | Steel, grinded, with fit spring slot by DIN 6885 |
| Shaft loading | Axial 50 N, radial 250 N |
| Friction torque | Max. 15 Nm |
| RPM | Max. 3,000 |

ACCESSORIES
PROTECTION BOX ALG

Mechanical drawing



Available box dimensions

| Type | Number of cable carry-ins M32 | Dimension a / [mm] | b / [mm] | c / [mm] | L / [mm] |
|--------|-------------------------------|--------------------|----------|----------|----------|
| ALG-15 | 7 | 370 | 390 | 380 | 455 |
| ALG-12 | 6 | 285 | 304 | 294 | 369 |
| ALG-9 | 5 | 225 | 244 | 234 | 309 |

ACCESSORIES
PROTECTION BOX ALG

Models/Ordering Description

| Description | Type Key | | | | |
|-----------------------|-------------------------------------|-----------|----------|-------|---|
| Protection box | ALG | __ - | 0 - | ___ - | - |
| Housing dimension | | 15 | | | |
| | | 12 | | | |
| | | 09 | | | |
| Electrical connection | Cable carry-ins M32 | | 0 | | |
| Encoder type | Ø 58 with synchro flange, 6mm shaft | | | Wzz | |
| | Ø 58 with clamp flange, 10 mm shaft | | | Wer | |
| | Ø 65 with clamp flange, 10 mm shaft | | | Wer | |
| | Ø 65 with 6mm shaft | | | Web | |
| | Ø100 with 6mm shaft | | | Wdf | |
| Driving shaft | Right side | | | | R |
| | Left side (standard) | | | | L |

Further models on request.

Needed accessories

| Description | Type key |
|---|----------|
| Shaft couplings for Ø 6 mm shaft (Web, Wdf) | ASK 018 |
| Shaft couplings for Ø 6 mm shaft (Wzz) | GS 6 |
| Shaft couplings for Ø 10 mm shaft (Wer) | GS 10 |

We do not assume responsibility for technical inaccuracies or omissions. Specifications are subject to change without notice.